



WVA TRAILBLAZER CHALLENGE IV (G15/G16)



March 5th @ Antigo Middle School, 815 7th Ave., Antigo, WI
 No Coaches Meeting - First Serve @ 8:00AM
 Doors Open @ 7:15AM

4 team pools will play best of three sets matches to 25 with no cap. If needed, a deciding set will be played to 15 with no cap. 3 team pools will play best of 5 set matches. Championships will be single elimination. Note - Pool play ties WILL NOT be played off. Badger Region alternate tie-break procedure will be followed.

Pool A - Court 1	Pool B - Court 2	Pool C - Court 3
1-Medford Storm 16-1 fj6medst1bg	1-De Pere Diggers16 fj6dpdig1bg	1-WVA Trailblazers 16s fj6wvaca7bg
2-Northern Extreme fj6xtrem1bg	2-Wisconsin Ice 16 Black fj6wsice3bg	2-CWVC 16 Red fj6cwvcl2bg
3-Stingers fj6cadot1bg	3-Northern Extreme fj5xtrem1bg	3-WI Ice 15 Black SB fj5wsice3bg
4-MVP Club 15-2 fj5mvpcb2bg	4-WVA Trailblazers 14s fj4wvaca9bg	

MAKE SURE TO SUPPORT THE CONCESSION STAND DURING OFF ROUNDS

4 TEAM POOL SCHEDULE			4 TEAM POOL SCHEDULE			3 TEAM POOLS		
ROUND	PLAYING	REF	ROUND	PLAYING	REF	9:00AM	1 VS 3	2
8:00AM	1 VS 3	2	8:00AM	1 VS 3	2	10:30AM	2 VS 3	1
9:00AM	2 VS 4	1	9:00AM	2 VS 4	1	12:00PM	1 VS 2	3
10:00AM	1 VS 4	3	10:00AM	1 VS 4	3	TEAMS SHOULD TAKE A LUNCH BREAK AND BE READY TO GO BEFORE THE END OF THE 4 TEAM POOLS		
11:00AM	2 VS 3	1	11:00AM	2 VS 3	1			
12:00AM	3 VS 4	2	12:00AM	3 VS 4	2			
1:00PM	1 VS 2	4	1:00PM	1 VS 2	4			

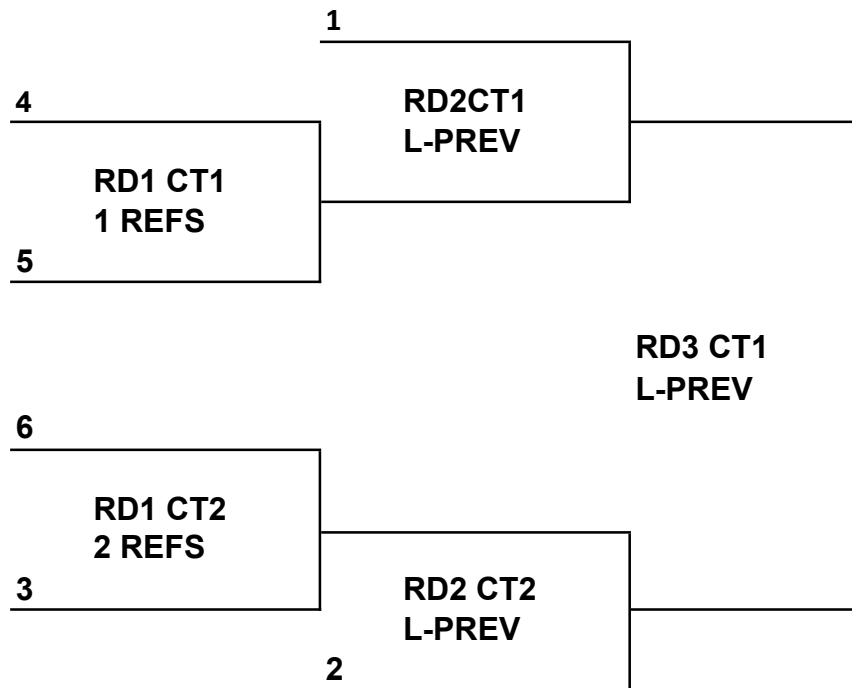
Warmups for the first two rounds will consist of 2-4-4. Every round thereafter will be 3-3.



Admission - \$5 Adult and \$3 Kids / NO CARRY-INS / Nothing but sports beverages or water in the gyms please

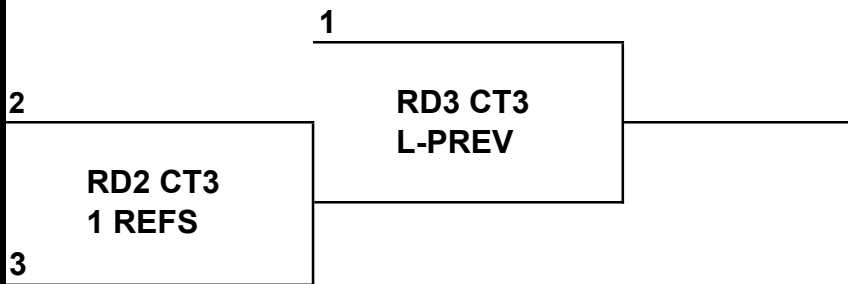
GOLD CHAMPIONSHIPS

TOP TWO TEAMS FROM EACH POOL WILL ADVANCE TO GOLD
TOP 6 TEAMS WILL BE RESEDED 1-6 BASED OFF OF SET % AND PTS



SILVER CHAMPIONSHIPS

3RD PLACE TEAMS FROM EACH POOL WILL ADVANCE TO SILVER
TEAMS WILL BE RESEED 1-3 BASED OFF OF SET % AND PTS



13s/14s BRONZE CHAMPIONSHIPS

4TH PLACE TEAMS FROM EACH POOL WILL ADVANCE TO BRONZE

